

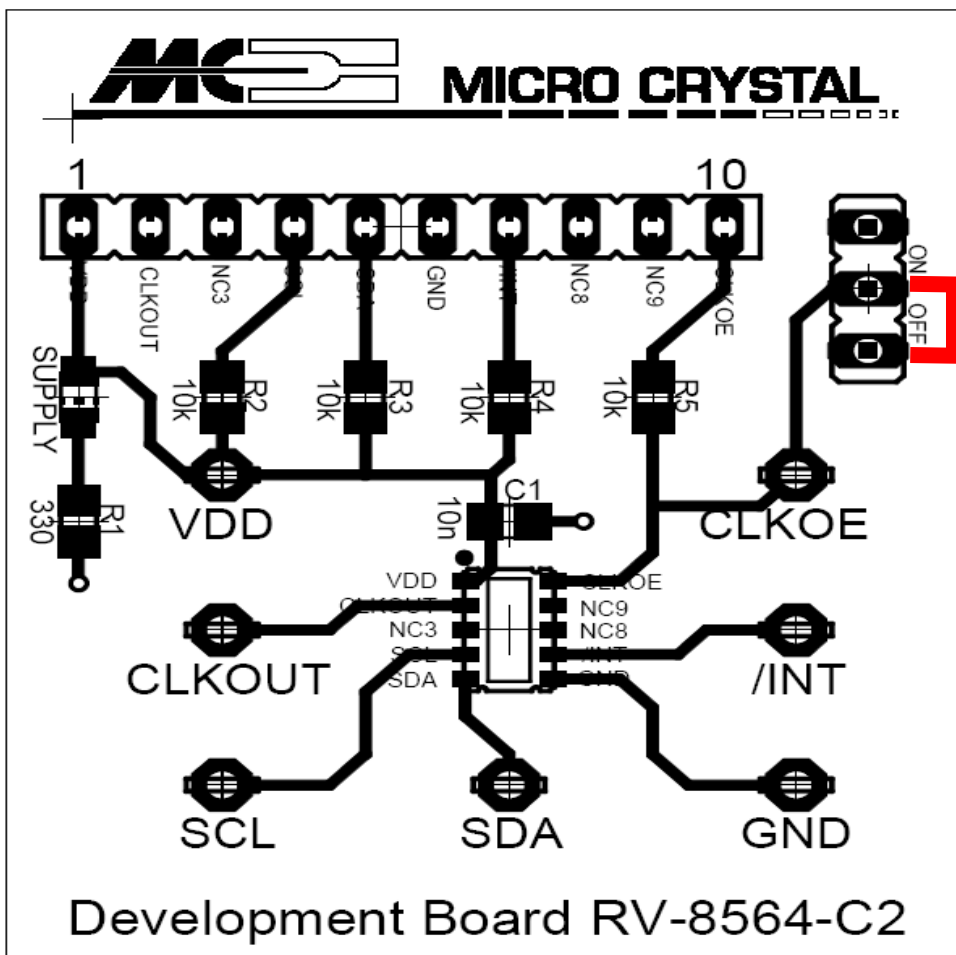
RV-8564-C2

The RV-8564-C2 is soldered onto the Development Board.
 Every pin is either accessible at test pins 1 – 10 or at the test vias situated around the device.

The following passive components are already soldered on the Board:

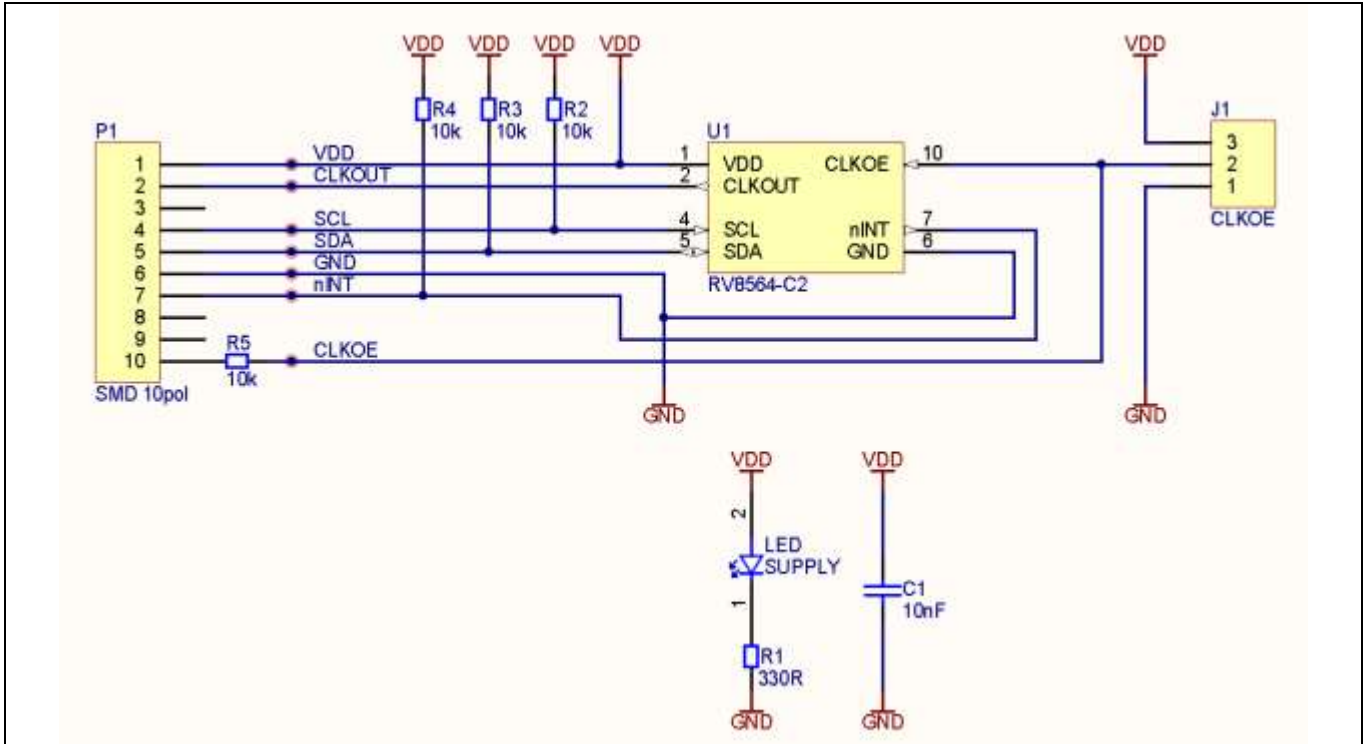
- | | | |
|-----|---------------|--|
| C1 | 10 nF | Decoupling capacitor between V_{SS} and V_{DD} |
| R1 | 330 Ω | current limiting resistor for LED |
| LED | green | Supply, current consumption of the LED has to be considered |
| R2 | 10 k Ω | Pull-up resistor SCL to V_{DD} |
| R3 | 10 k Ω | Pull-up resistor SDA to V_{DD} |
| R4 | 10 k Ω | Pull-up resistor INT to V_{DD} |
| R5 | 10 k Ω | Protection resistor to prevent short-circuit between external CLKOE signal and Jumper. |

DEVELOPMENT BOARD

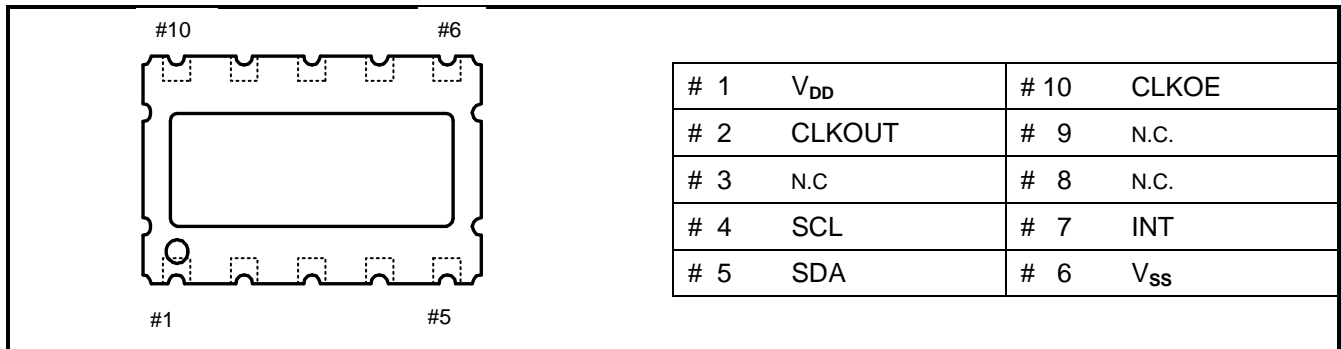


- JUMPER
- CLKOE = HIGH
- CLKOE = LOW

SCHEMATICS



PINOUT RV-8564-C2



PIN DESCRIPTION

| Symbol | Pin # | Description |
|-----------------|-------|---|
| V _{DD} | 1 | Positive supply voltage; recommended 10 nF decoupling capacitor close to device |
| CLKOUT | 2 | Clock Output pin; push-pull output; at power-up by default 32.768kHz |
| NC | 3 | Not Connected |
| SCL | 4 | Serial Clock Input pin; requires pull-up resistor |
| SDA | 5 | Serial Data Input-Output pin; open-drain; requires pull-up resistor. |
| V _{SS} | 6 | Ground |
| INT | 7 | Interrupt Output pin; open-drain; active LOW |
| NC | 8 | Not Connected |
| NC | 9 | Not Connected |
| CLKOE | 10 | CLKOUT enable/disable pin; enable is active HIGH |