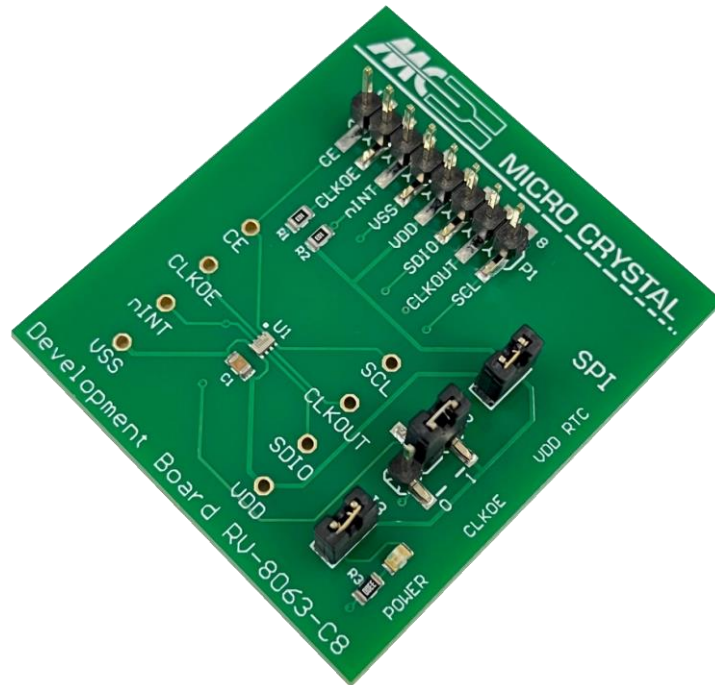


DEVELOPMENT BOARD



RV-8063-C8

Low-Power Real-Time Clock / Calendar Module

DATE: October 2023 Revision No.: 1

Page 1/3

Headquarters: Micro Crystal AG
Muehlestrasse 14
CH-2540 Grenchen
Switzerland

Tel. +41 32 655 82 82

Internet www.microcrystal.com
Email sales@microcrystal.com

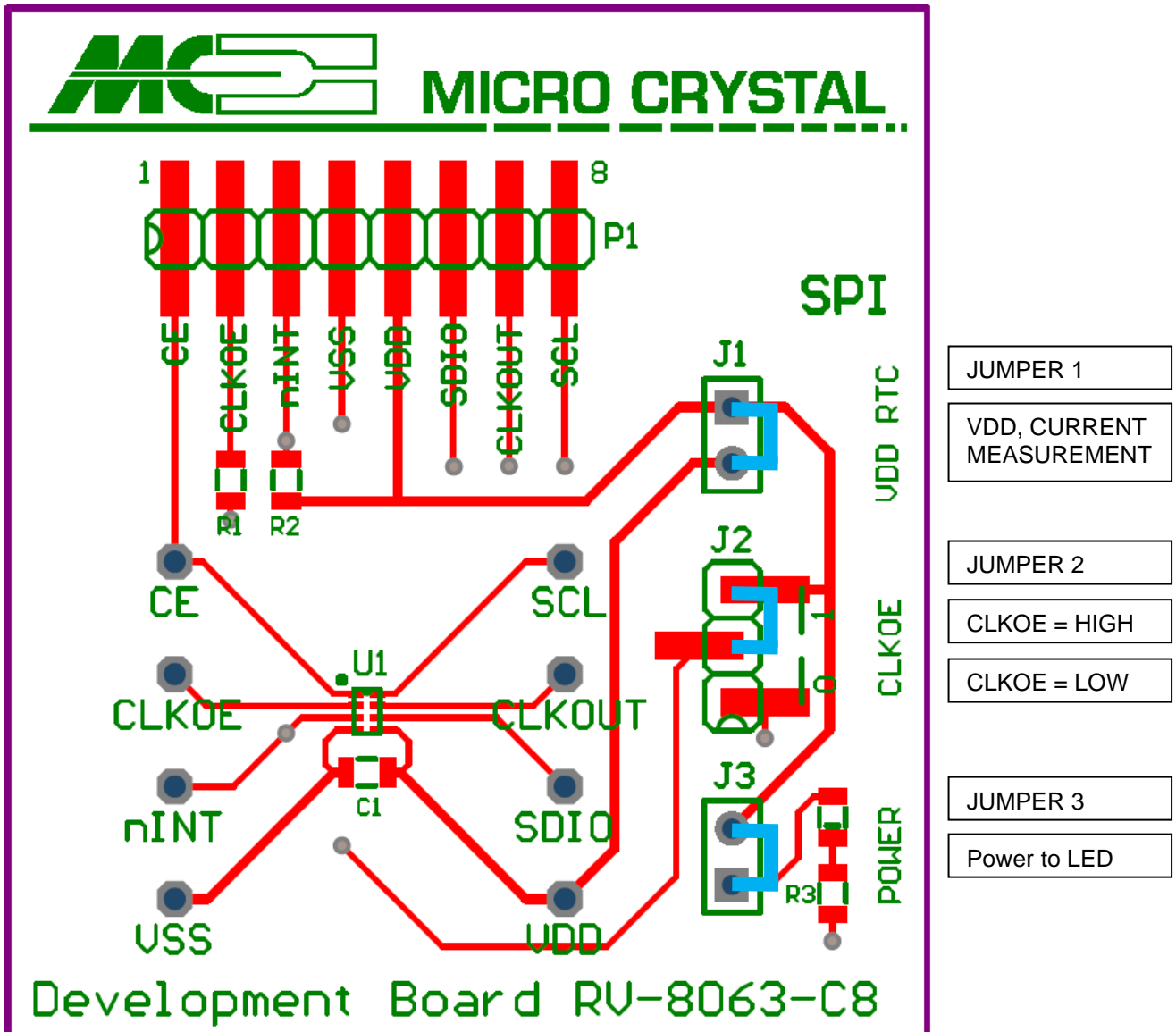
RV-8063-C8

The RV-8063-C8 is soldered (U1) onto the Development Board.
 Every pin is either accessible at test pins 1 – 8 or at the test vias situated around the device.

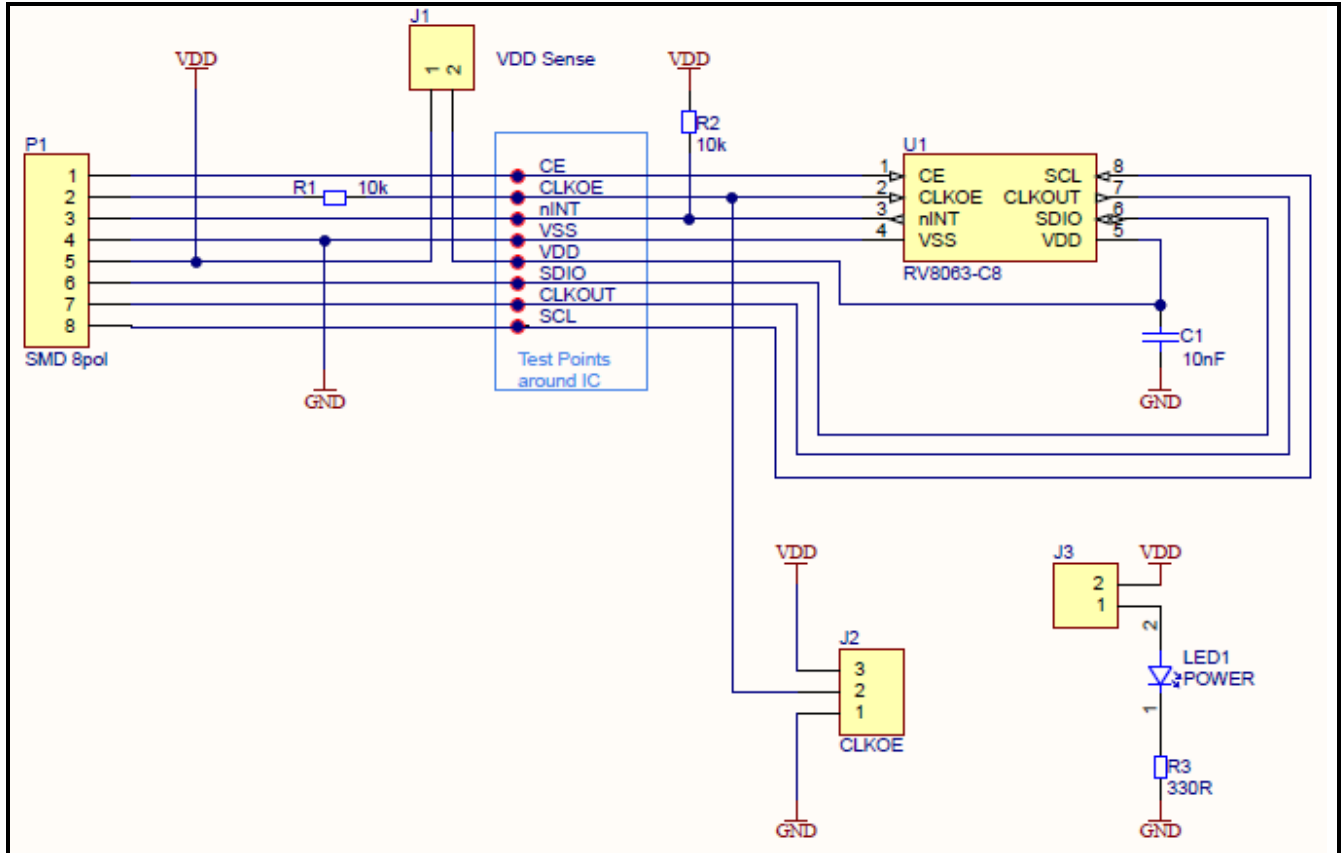
The following passive components are already soldered on the Board:

C1	10 nF	Decoupling capacitor between VSS and VDD.
R1	10 kΩ	Protection resistor to prevent short-circuit between external CLKOE signal and Jumper.
R2	10 kΩ	Pull-up resistor $\overline{\text{INT}}$ to VDD.
R3	330 Ω	Current limiting resistor for LED.
LED	green	Supply on, current consumption of the LED must be considered.

DEVELOPMENT BOARD



SCHEMATICS



PINOUT RV-8063-C8

#8 #5

#1 #4

# 1	CE	# 8	SCL
# 2	CLKOE	# 7	CLKOUT
# 3	$\overline{\text{INT}}$	# 6	SDIO
# 4	V _{SS}	# 5	V _{DD}

PIN DESCRIPTION

Symbol	Pin #	Description
CE	1	Chip Enable Input; when LOW, the interface is reset; may not be wired permanently HIGH.
CLKOE	2	Input to enable the CLKOUT pin. If CLKOE is HIGH, the CLKOUT pin is in output mode. When CLKOE is tied to Ground, the CLKOUT pin is LOW.
$\overline{\text{INT}}$	3	Interrupt Output; open-drain; active LOW; requires pull-up resistor; Used to output alarm, minute, half minute, countdown timer and compensation Interrupt signals.
V _{SS}	4	Ground.
V _{DD}	5	Power Supply Voltage
SDIO	6	Serial Data Input and Output. Input: When CE is LOW, input may float. Output: Push-pull output; drives from V _{SS} to V _{DD} ; is high-impedance when not driving.
CLKOUT	7	Clock Output; push-pull; controlled by CLKOE. If CLKOE is HIGH (V _{DD}), the CLKOUT pin drives the square wave of 32.768 kHz, 16.384 kHz, 8.192 kHz, 4.096 kHz, 2.048 kHz, 1.024 kHz or 1 Hz (Default value is 32.768 kHz). When CLKOE is tied to Ground, the CLKOUT pin is LOW.
SCL	8	Serial Clock Input. When CE is LOW, this input may float.

Datasheet and Application-Manual are available for download under: <https://www.microcrystal.com>