

Application Manual

MCS01

**Clock Oscillator
10 kHz – 225 MHz**

TABLE OF CONTENTS

1.	OVERVIEW	3
1.1.	GENERAL DESCRIPTION.....	3
1.2.	APPLICATIONS	3
1.3.	ORDERING INFORMATION	4
2.	BLOCK DIAGRAM	5
2.1.	PINOUT	5
2.2.	PIN DESCRIPTION	5
3.	ELECTRICAL SPECIFICATIONS	6
3.1.	ABSOLUTE MAXIMUM RATINGS	6
3.2.	OPERATING PARAMETERS	7
3.3.	TYPICAL CHARACTERISTICS.....	8
3.4.	OSCILLATOR PARAMETERS	9
3.4.1.	FREQUENCY VS. TEMPERATURE CHARACTERISTICS	9
4.	PACKAGE	10
4.1.	DIMENSIONS AND SOLDER PAD LAYOUT.....	10
4.1.1.	PACKAGE WITH METAL LID	10
4.1.2.	PACKAGE WITH CERAMIC LID	11
4.2.	MARKING AND PIN #1 INDEX.....	12
5.	MATERIAL COMPOSITION DECLARATION & ENVIRONMENTAL INFORMATION.....	13
5.1.	HOMOGENOUS MATERIAL COMPOSITION DECLARATION (METAL LID)	13
5.2.	RECYCLING MATERIAL INFORMATION (METAL LID).....	14
5.3.	ENVIRONMENTAL PROPERTIES & ABSOLUTE MAXIMUM RATINGS (METAL LID).....	15
5.4.	HOMOGENOUS MATERIAL COMPOSITION DECLARATION (CERAMIC LID).....	16
5.5.	RECYCLING MATERIAL INFORMATION (CERAMIC LID)	17
5.6.	ENVIRONMENTAL PROPERTIES & ABSOLUTE MAXIMUM RATINGS (CERAMIC LID)	18
6.	APPLICATION INFORMATION	19
6.1.	TEST CIRCUIT	19
6.2.	OUTPUT WAVEFORM.....	20
6.3.	SOLDERING INFORMATION.....	21
6.4.	HANDLING PRECAUTIONS FOR MODULES WITH EMBEDDED CRYSTALS	22
7.	PACKING & SHIPPING INFORMATION	23
8.	COMPLIANCE INFORMATION	24
9.	DOCUMENT REVISION HISTORY	24

MCSO1

Clock Oscillator 10 kHz – 225 MHz

1. OVERVIEW

- Oscillator with built-in AT-cut crystal, operating in fundamental mode
- Overall frequency stability over temperature range: $\leq \pm 50$ ppm or $\leq \pm 100$ ppm
- Very fast start-up: typ. 1 ms at 25°C
- Output signal HCMOS compatible
- High shock and vibration resistance
- Operating voltage: 1.8 V, 2.5 V, 3.3 V or 5.0 V
- Power consumption:
 - $< 110 \mu\text{A}$ at $V_{\text{DD}} = 3.3 \text{ V}$, $F = 32.768 \text{ kHz}$
 - $< 5 \text{ mA}$ at $V_{\text{DD}} = 3.3 \text{ V}$, $F \leq 20 \text{ MHz}$
- Operating temperature range:
 - A = 0 to +70°C
 - B = -40 to +85°C
 - C = -55 to +125°C
 - X = Custom
- Enable/Disable function (option 1)
- Low aging rate
- Ceramic SMD package (8.0 x 3.7 mm), RoHS-compliant and 100% lead-free

1.1. GENERAL DESCRIPTION

The MCSO1 combines a High Frequency HCMOS oscillator circuitry together with an AT-cut quartz crystal in a hermetically sealed ceramic package with metal or ceramic lid. No external components are required.

The frequency output 10 kHz – 225 MHz on F_{OUT} pin can be enabled / disabled by the E/D pin (option 1). The F_{OUT} frequency is enabled when E/D pin is connected to V_{DD} or when it is left open (not connected). When the E/D pin is tied to GND the frequency is disabled and the F_{OUT} pin is in high impedance state (Hi-Z).

1.2. APPLICATIONS

The MCSO1 clock oscillator module combines outstanding performance and robustness in a standard ceramic package:

- Oscillator module (embedded XTAL) in a standard 8.0 x 3.7 mm lead-free ceramic package
- High shock and vibration resistant

The robust construction and high performances make this product perfectly suitable for many high reliability applications:

- Avionics / Aerospace: Airborne Equipment / Engine Control / Actuator Controller / Temperature Controller / Instrumentation / Navigation and Guidance Systems
- Instrumentation: Field Test Instrument / Automotive Test Equipment
- Communication: Optical Network / Wireless Communication System
- Security / Safety: Survival and Protection System / Railway Security System / Fire Fighter Equipment
- Industrial: Telemetry / A/C Controller / Hydraulic Sensor

1.3. ORDERING INFORMATION

Example: MCSO1 F C H V T – C 40.000 MHz E/D T3 XXX

Code	Package Size
MCSO1	8.0 x 3.7 mm

Code	Jitter
F	Low jitter *
Blank	Standard

Code	Lid
C	Ceramic lid
Blank	Kovar lid

Code	Frequency range
H	> 20 MHz
Blank	≤ 20 MHz **

Code	Supply voltage
Z	V _{DD} = 1.8 V
W	V _{DD} = 2.5 V
V	V _{DD} = 3.3 V
Blank	V _{DD} = 5.0 V ***

Code	Frequency stability
T	±50 ppm
Blank	±100 ppm

Code	Temperature range
A	0 to +70°C
B	-40 to +85°C
C	-55 to +125°C
X	Custom

Code	Frequency
40.000 MHz	40.000 MHz

Code	Option 1
E/D	Enable/Disable
Blank	No function

Code	Option 2
T3	SnAgCu solder dipped pads
Blank	Au flashed pads

Code	Customer specification N°
XXX	XXX

* One-sigma jitter for low jitter version (F):

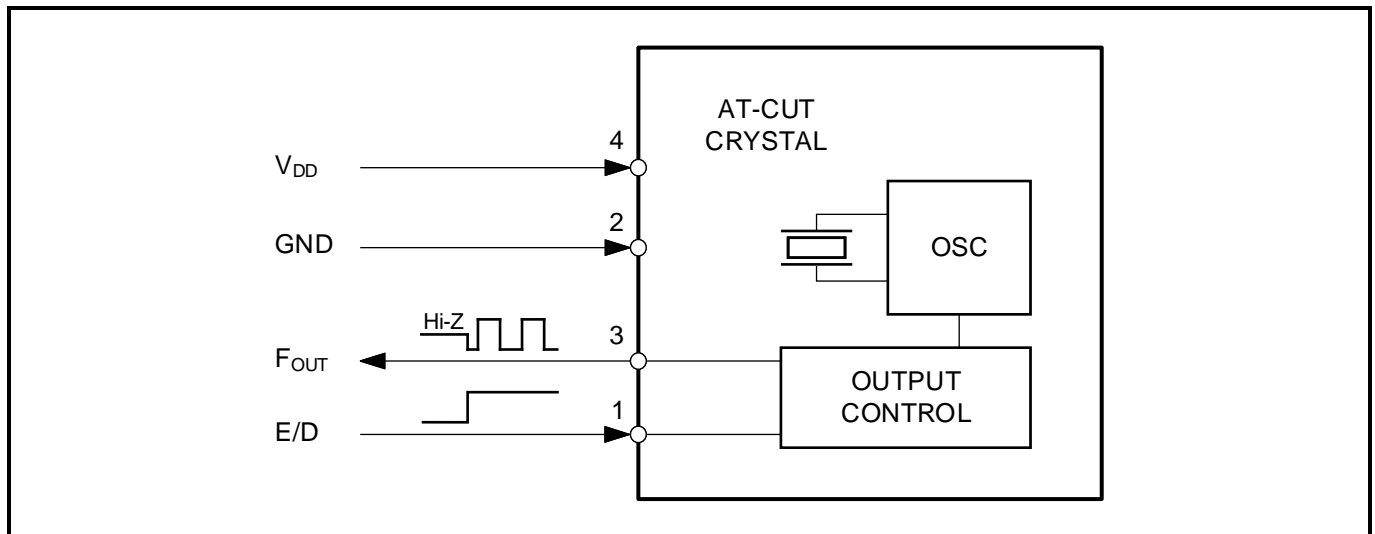
t_{RMS} < 2 ps for F ≤ 20 MHz

t_{RMS} < 10 ps for F > 20 MHz

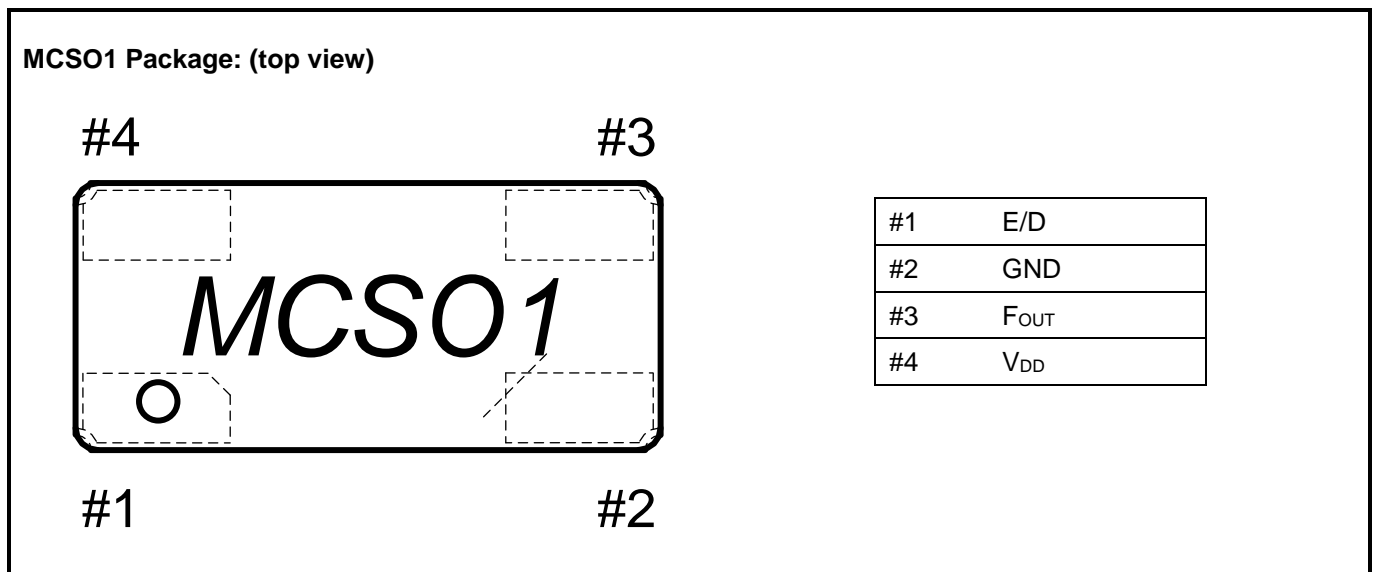
** pin 2 also 45° chamfered for F ≤ 20 MHz

*** 5.0 V version not available for low jitter version (F)

2. BLOCK DIAGRAM



2.1. PINOUT



2.2. PIN DESCRIPTION

Symbol	Pin #	Description
E/D	1	Input to enable/disable the F _{OUT} pin (option 1). If E/D is HIGH or floating (V _{IH} or open), the F _{OUT} pin is in output mode. When E/D is tied to Ground (V _{IL}), the F _{OUT} pin is disabled (Hi-Z).
GND	2	Ground.
F _{OUT}	3	Clock Output; three-state; controlled by E/D. If E/D is HIGH (V _{DD}) or floating, the F _{OUT} pin drives the square wave of the frequency. When E/D is tied to Ground, the F _{OUT} pin is disabled (Hi-Z).
V _{DD}	4	Power Supply Voltage.

3. ELECTRICAL SPECIFICATIONS

3.1. ABSOLUTE MAXIMUM RATINGS

Absolute Maximum Ratings according to IEC 60134:

SYMBOL	PARAMETER	CONDITIONS	MIN	MAX	UNIT
V _{DD}	Power supply voltage	Nominal V _{DD} = 1.8 V	-0.3	2.3	V
		Nominal V _{DD} = 2.5 V	-0.3	3	
		Nominal V _{DD} = 3.3 V	-0.3	3.8	
		Nominal V _{DD} = 5.0 V	-0.3	5.5	
V _I	Input voltage		-0.3	V _{DD}	V
V _O	Output voltage		-0.3	V _{DD}	V
V _{ESD}	ESD voltage	HBM (1)		±2000	V
		MM (2)		±200	
T _A	Operating temperature range A		0	70	°C
T _B	Operating temperature range B		-40	85	°C
T _C	Operating temperature range C		-55	125	°C
T _{STO}	Storage temperature	Stored as bare product	-65	125	°C
T _{PEAK}	Maximum reflow condition	JEDEC J-STD-020C		265	°C

(1) HBM: Human Body Model, according to JESD22-A114.

(2) MM: Machine Model, according to JESD22-A115.

3.2. OPERATING PARAMETERS

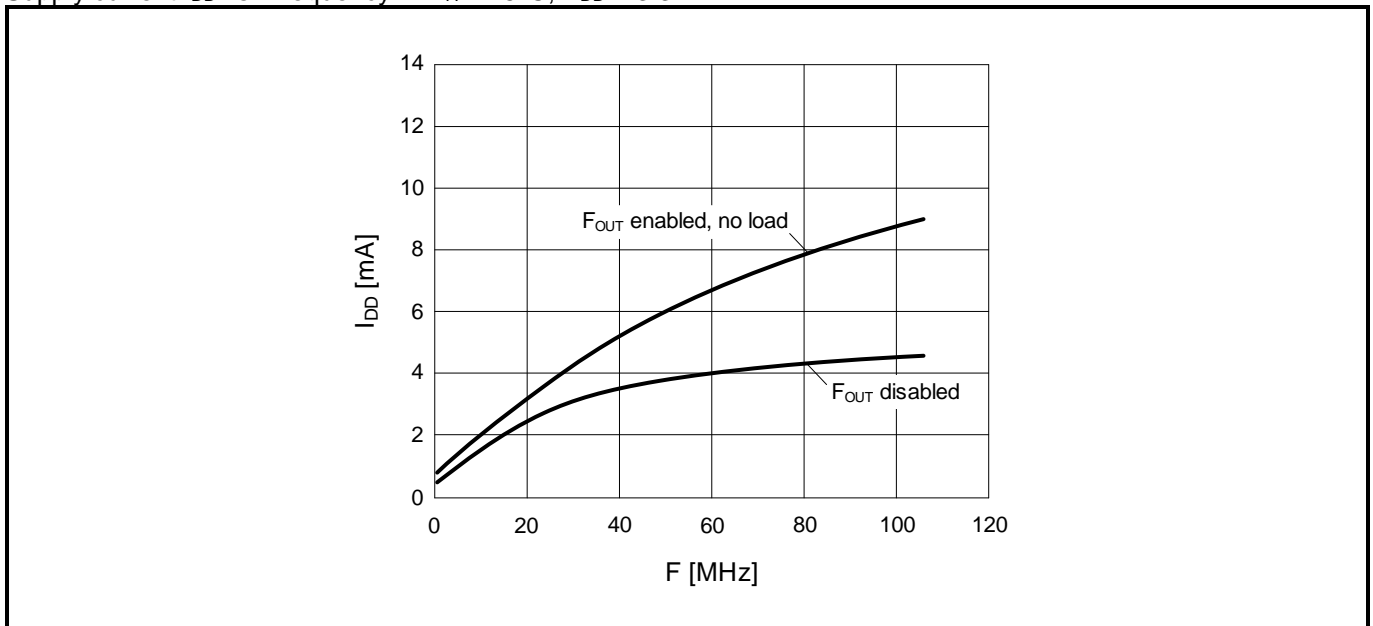
For this Table, V_{DD} = nominal voltage; GND = 0 V; T_A = 25 °C; unless otherwise indicated.

Operating Parameters:

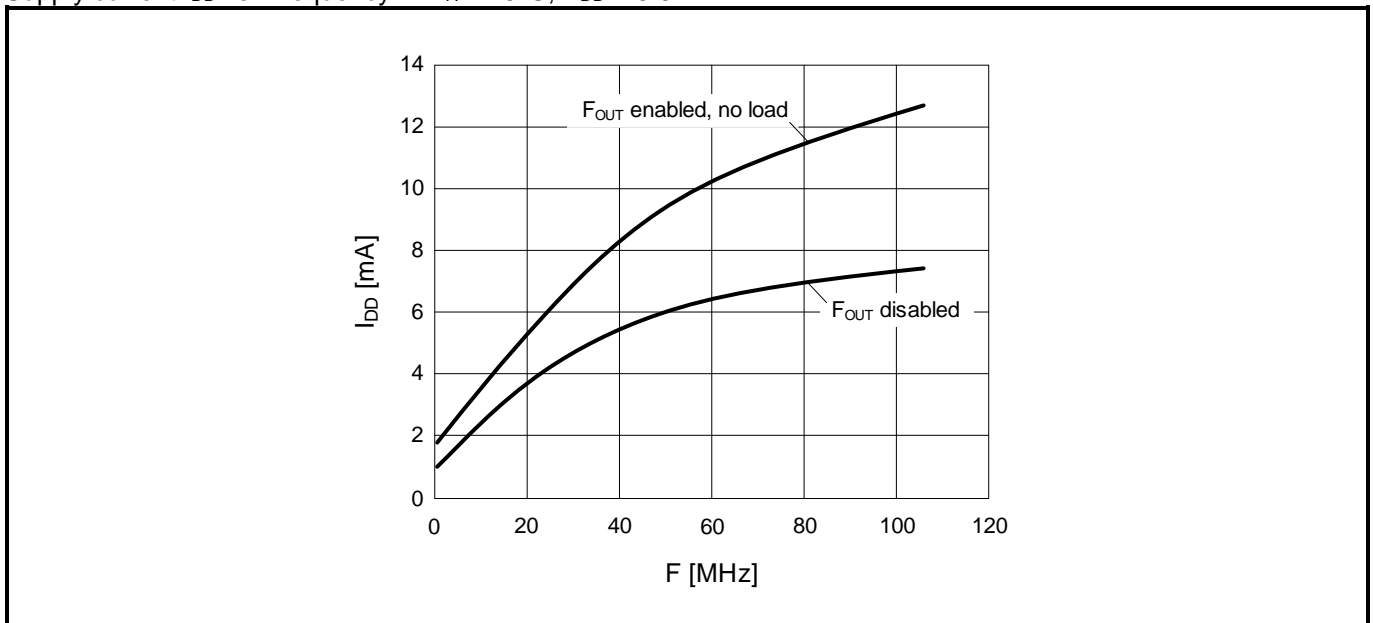
SYMBOL	PARAMETER	CONDITIONS	MIN	TYP	MAX	UNIT
Supply						
V_{DD}	Power supply voltage (1) (2)	Nominal $V_{DD} = 1.8$ V	1.71		1.89	V
		Nominal $V_{DD} = 2.5$ V	2.375		2.625	
		Nominal $V_{DD} = 3.3$ V	3.135		3.465	
		Nominal $V_{DD} = 5.0$ V	4.75		5.25	
I_{DD}	Input current. $V_{DD} = 2.5$ V F_{OUT} enabled, no load	$10 \text{ kHz} \leq F \leq 32.768 \text{ kHz}$			0.1	mA
		$32.768 \text{ kHz} < F \leq 10 \text{ MHz}$			2	
		$10 \text{ MHz} < F \leq 20 \text{ MHz}$			3	
		$20 \text{ MHz} < F \leq 225 \text{ MHz}$			25	
	Input current. $V_{DD} = 3.3$ V F_{OUT} enabled, no load	$10 \text{ kHz} \leq F \leq 32.768 \text{ kHz}$			0.11	
		$32.768 \text{ kHz} < F \leq 10 \text{ MHz}$			4	
		$10 \text{ MHz} < F \leq 20 \text{ MHz}$			5	
	Input current. $V_{DD} = 5.0$ V F_{OUT} enabled, no load	$20 \text{ MHz} < F \leq 225 \text{ MHz}$			30	
		$10 \text{ kHz} \leq F \leq 32.768 \text{ kHz}$			0.12	
		$32.768 \text{ kHz} < F \leq 10 \text{ MHz}$			6	
		$10 \text{ MHz} < F \leq 20 \text{ MHz}$			7	
			$20 \text{ MHz} < F \leq 225 \text{ MHz}$			
Input E/D						
V_I	Input voltage		GND -0.3		$V_{DD} + 0.3$	V
V_{IL}	LOW level input voltage		GND		$0.3 V_{DD}$	V
V_{IH}	HIGH level input voltage		$0.7 V_{DD}$		V_{DD}	V
t	Reaction time				1	μs
Output F_{OUT} (HCMOS compatible)						
V_{OH}	HIGH level output voltage		$V_{DD} - 0.5$			V
V_{OL}	LOW level output voltage				0.4	V
C_L	Output load capacitance	HCMOS	3	15	47	pF
t_r / t_f	Rise & fall time	$F = 32.768 \text{ kHz}$, $C_L = 15 \text{ pF}$, 20% to 80% V_{DD}			150	ns
		$F \leq 20 \text{ MHz}$, $C_L = 15 \text{ pF}$, 20% to 80% V_{DD}			7	
		$F > 20 \text{ MHz}$, $C_L = 15 \text{ pF}$, 10% to 90% V_{DD}			3	
(1) A 47 nF decoupling capacitor has to be connected between V_{DD} and GND.						
(2) 5.0 V version not available for low jitter version (F).						

3.3. TYPICAL CHARACTERISTICS

Supply current I_{DD} vs. Frequency F : $T_A = 25^\circ\text{C}$, $V_{DD} = 3.3\text{ V}$



Supply current I_{DD} vs. Frequency F : $T_A = 25^\circ\text{C}$, $V_{DD} = 5.0\text{ V}$



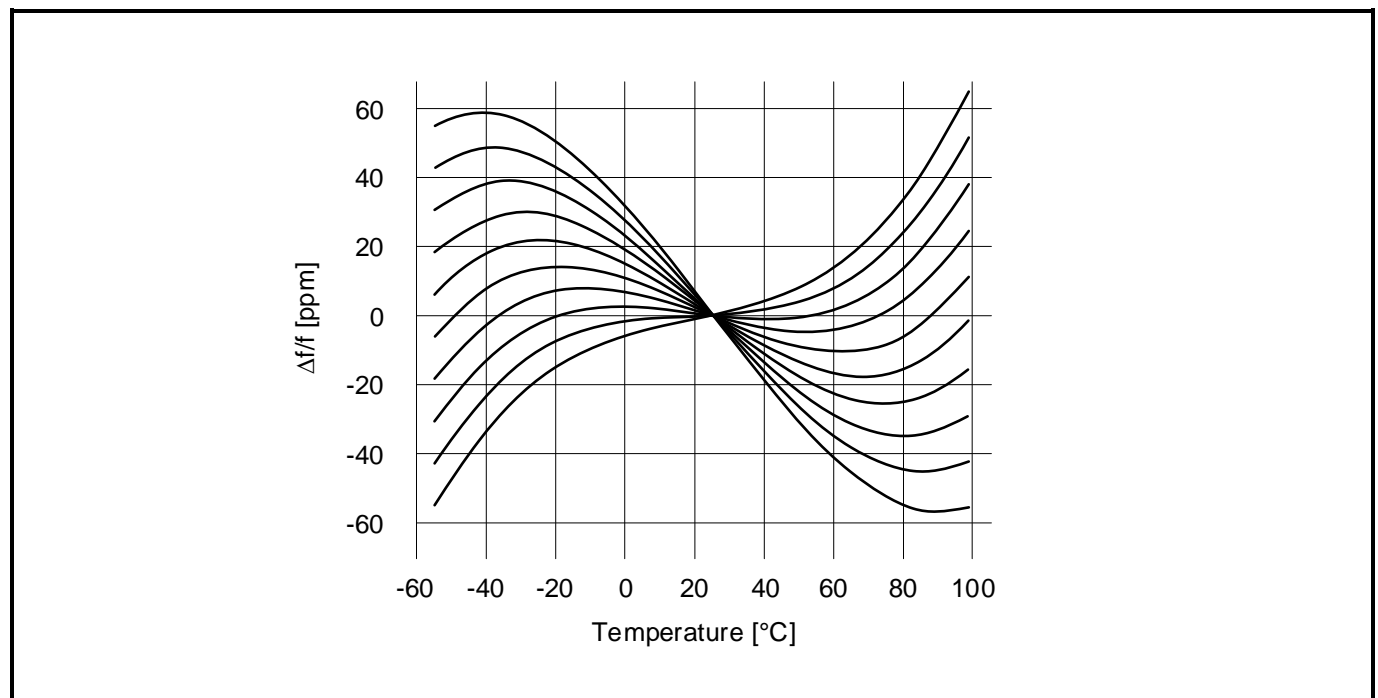
3.4. OSCILLATOR PARAMETERS

For this Table, V_{DD} = nominal voltage; $GND = 0 V$; $T_A = 25\text{ }^\circ\text{C}$; unless otherwise indicated.

Oscillator Parameters:

SYMBOL	PARAMETER	CONDITIONS	MIN	TYP	MAX	UNIT
General						
F	Frequency range		0.01		225	MHz
t_{START}	Oscillator start-up time			1	5	ms
\bar{D}_{FOUT}	F_{OUT} duty cycle @ $V_{DD}/2$		40		60	%
Frequency Characteristics						
$\Delta F/F$	Overall frequency stability over temperature range (see ORDERING INFORMATION) Standard version (1) T version (2)	Including adjustment at $+25\text{ }^\circ\text{C}$, V_{DD} variations $\pm 5\%$ and C_L variations min. to max.			± 100 ± 50	ppm
Low jitter version F						
t_{RMS}	One-sigma jitter	$F \leq 20\text{ MHz}$			2	ps RMS
		$F > 20\text{ MHz}$			10	ps RMS
(1) Including long term aging 10 years.						
(2) Including long term aging 1 year.						

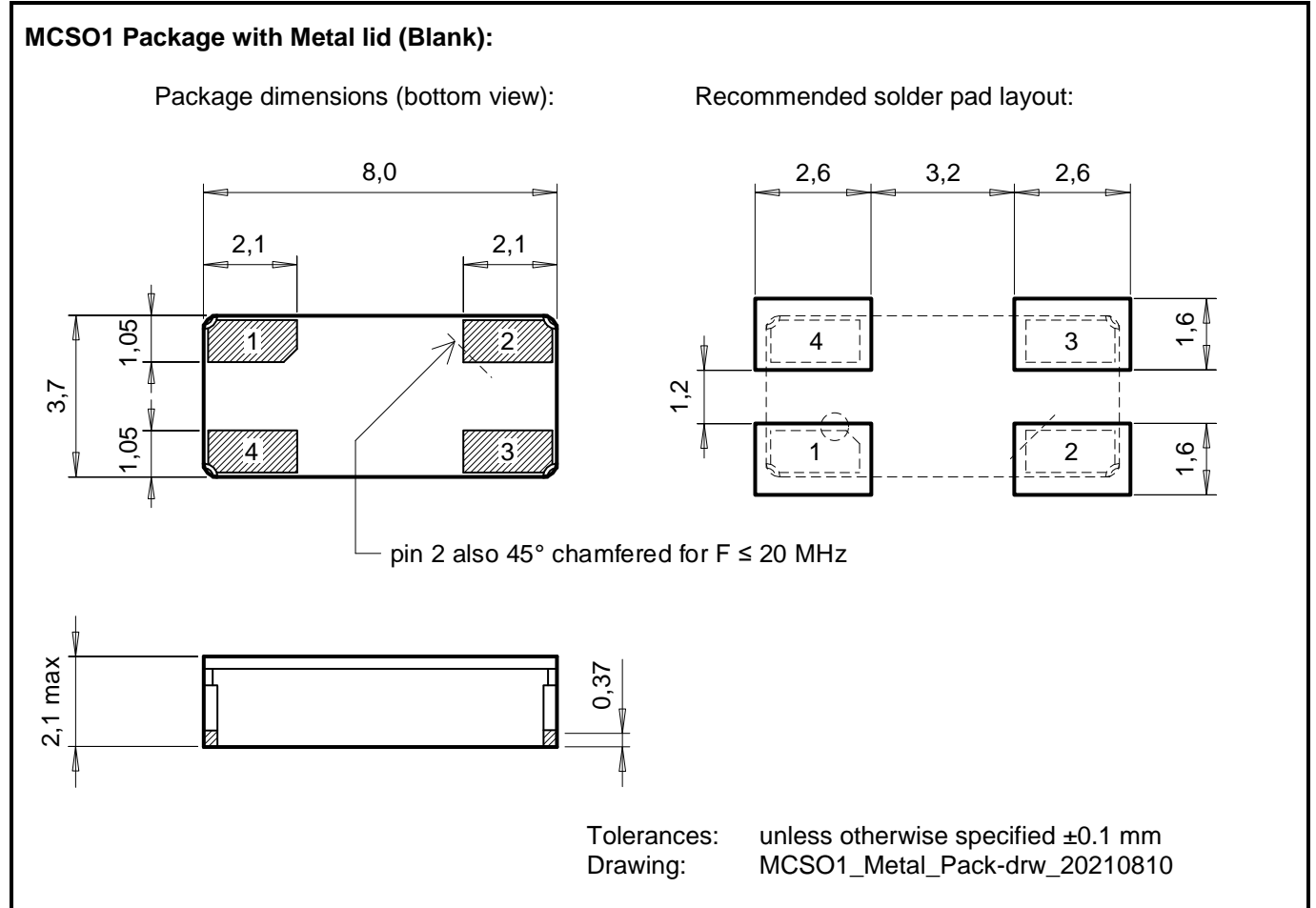
3.4.1.FREQUENCY VS. TEMPERATURE CHARACTERISTICS



4. PACKAGE

4.1. DIMENSIONS AND SOLDER PAD LAYOUT

4.1.1. PACKAGE WITH METAL LID

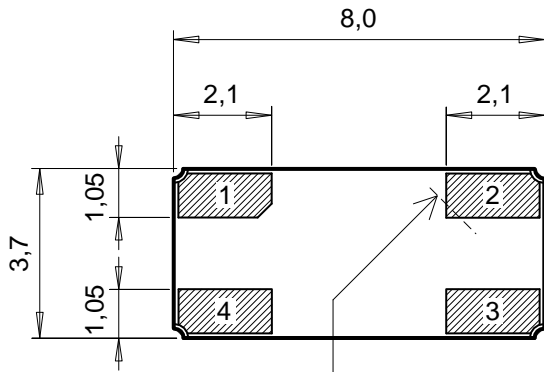


All dimensions in mm typical.

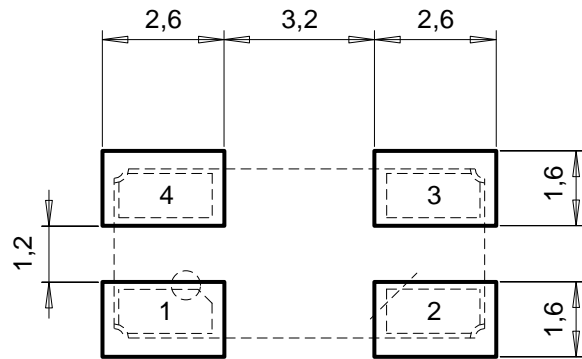
4.1.2. PACKAGE WITH CERAMIC LID

MCSO1 Package with Ceramic lid (C):

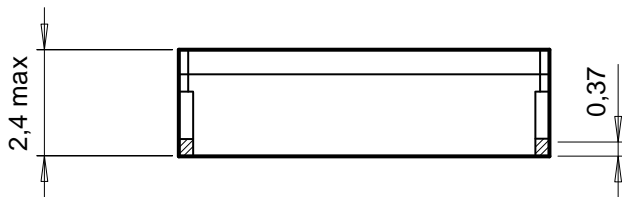
Package dimensions (bottom view):



Recommended solder pad layout:



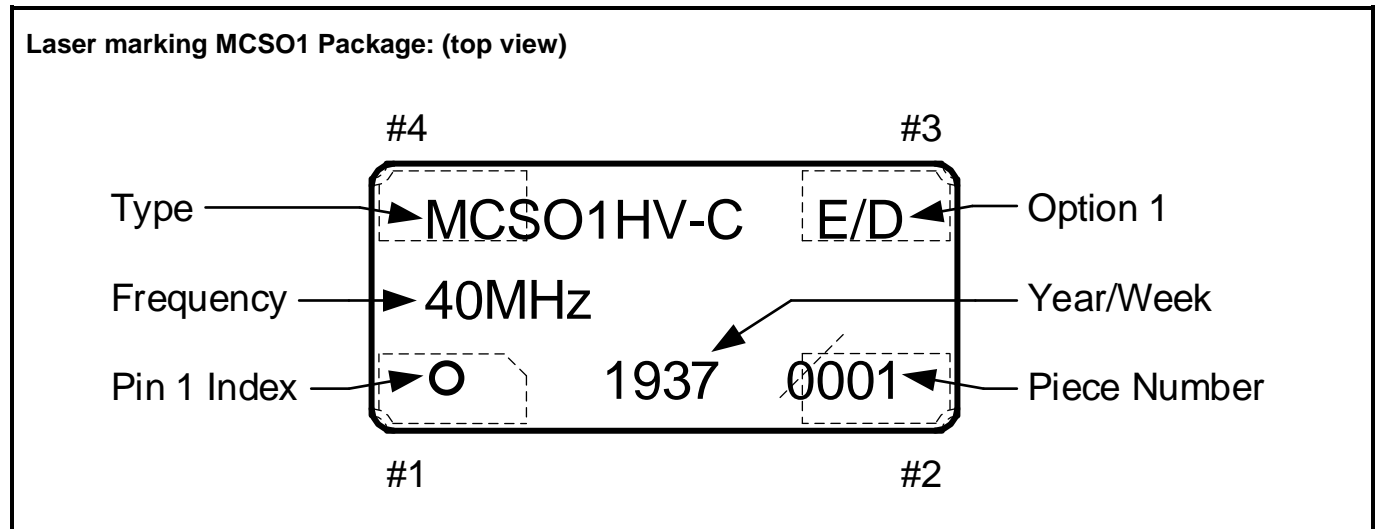
pin 2 also 45° chamfered for $F \leq 20$ MHz



Tolerances: unless otherwise specified ± 0.1 mm
 Drawing: MCSO1_Ceramic_Pack-drw_20210810

All dimensions in mm typical.

4.2. MARKING AND PIN #1 INDEX

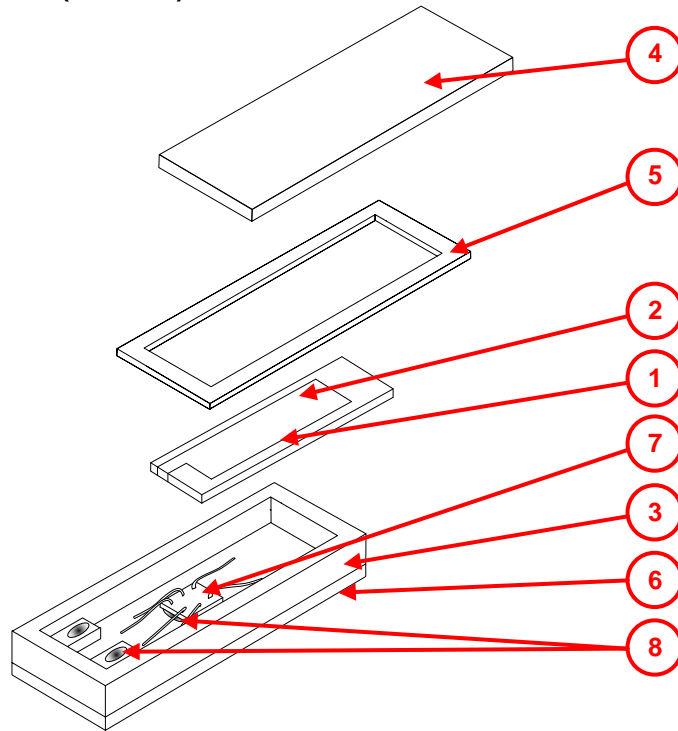


5. MATERIAL COMPOSITION DECLARATION & ENVIRONMENTAL INFORMATION

5.1. HOMOGENOUS MATERIAL COMPOSITION DECLARATION (METAL LID)

Homogenous material information according to IPC-1752 standard

Material Composition MCSO1 (Metal lid):



(Symbolic drawing)



No.	Item Component Name	Sub Item Material Name	Material Weight		Substance Element	CAS Number	Comment
			(mg)	(%)			
1	Resonator	Quartz Crystal	4.8	100%	SiO ₂	14808-60-7	
2	Electrodes	Cr+Au	0.2	5%	Cr	Cr: 7440-47-3	
				95%	Au	Au: 7440-57-5	
3	Housing	Ceramic	114.0	100%	Al ₂ O ₃	1344-28-1	
4	Metal Lid	Kovar Lid	59.8	90%	Fe53Ni29Co18	Fe: 7439-89-6 Ni: 7440-02-0 Co: 7440-48-4	
				9%	Ni	Ni: 7440-02-0	Nickel plating
				1%	Au	Au: 7440-57-5	Gold plating
5	Seal	Solder Preform	6.5	80%	Au80 / Sn20	Au: 7440-57-5	
				20%		Sn	Sn: 7440-31-5
6	Terminations	Internal and external terminals	5.3	80%	W	W: 7440-33-7	Tungsten
				15%	Ni	Ni: 7440-02-0	Nickel plating
				5%	Au 0.2 micron	Au: 7440-57-5	Gold plating
7	HCMOS IC	Silicon Die pad plating Bonding wires	4.0	69%	Si	Si: 7440-21-3	
				1%	Al	Al: 7429-90-5	
				30%	Au	Au: 7440-57-5	
8	Conductive adhesive	Silver filled Epoxy	1.4	70%	Ag	Ag: 7440-22-4	
				30%	EP	129915-35-1	
Unit weight typ. ±10%			196				

5.2. RECYCLING MATERIAL INFORMATION (METAL LID)

Recycling material information according to IPC-1752 standard.

Element weight is accumulated and referenced to the unit weight of 196 mg.

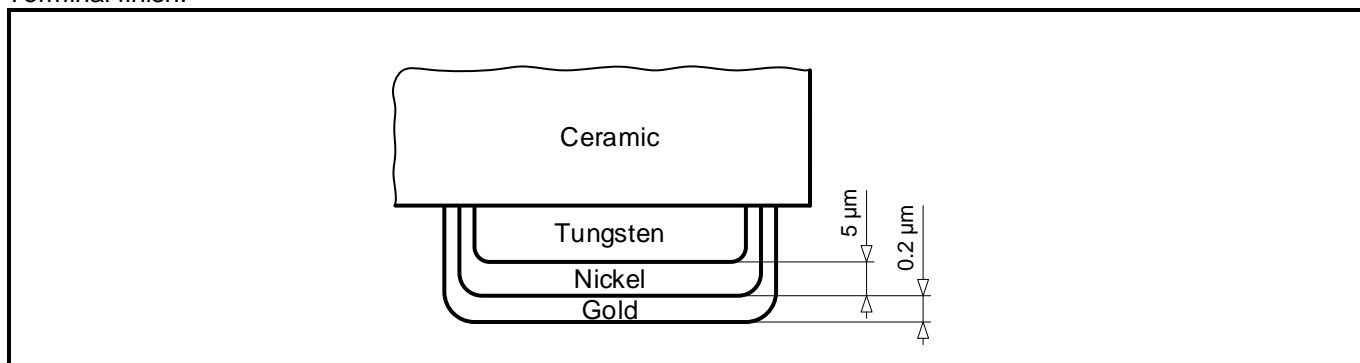
Item Material Name	No.	Item Component Name	Material Weight		Substance Element	CAS Number	Comment
			(mg)	(%)			
Quartz Crystal	1	Resonator	4.8	2.45	SiO ₂	14808-60-7	
Chromium	2	Electrodes	0.01	0.005	Cr	Cr: 7440-47-3	
Ceramic	3	Housing	114.0	58.2	Al ₂ O ₃	1344-28-1	
Gold	2 4 5 6 7c	Electrodes Metal Lid Seal Terminations HCMOS IC	7.45	3.8	Au	Au: 7440-57-5	
Tin	5	Seal	1.3	0.66	Sn	Sn: 7440-31-5	
Nickel	4 6	Metal Lid (Plating) Terminations	6.18	3.15	Ni	Ni: 7440-02-0	
Tungsten	6	Terminations	4.24	2.16	W	W: 7440-33-7	
Kovar	4	Metal Lid	53.8	27.5	Fe ₅₃ Ni ₂₉ Co ₁₈	Fe: 7439-89-6 Ni: 7440-02-0 Co: 7440-48-4	
Silicon	7a	HCMOS IC	2.76	1.41	Si	Si: 7440-21-3	
Aluminum	7b	HCMOS IC	0.04	0.02	Al	Al: 7429-90-5	
Silver	8a	Conductive adhesive	0.98	0.50	Ag	Ag: 7440-22-4	
Epoxy	8b	Conductive adhesive	0.42	0.21	EP	129915-35-1	
Unit weight (total) typ. ±10%			196	100			

5.3. ENVIRONMENTAL PROPERTIES & ABSOLUTE MAXIMUM RATINGS (METAL LID)

Package	Description
DFN-4 ceramic package	Dual Flat No Leads (DFN), hermetically sealed ceramic package with metal lid.

Parameter	Directive	Conditions	Value
Product weight (total)			196 mg
Storage temperature		Store as bare product	-65 to +125°C
Moisture sensitivity level (MSL)	IPC/JEDEC J-STD-020D		MSL1
MTTF			> 100 years

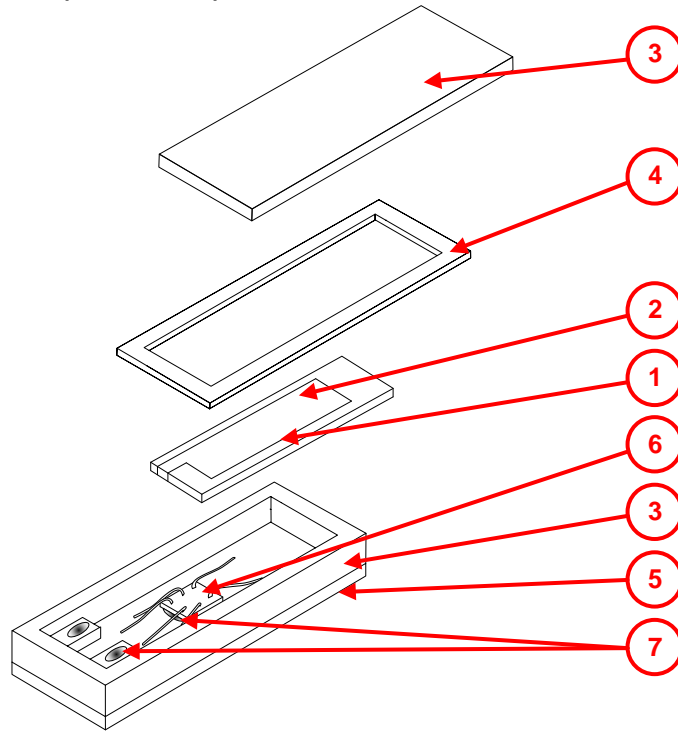
Terminal finish:



5.4. HOMOGENOUS MATERIAL COMPOSITION DECLARATION (CERAMIC LID)

Homogenous material information according to IPC-1752 standard

Material Composition MCSO1 (Ceramic lid):



(Symbolic drawing)



No.	Item Component Name	Sub Item Material Name	Material Weight		Substance Element	CAS Number	Comment
			(mg)	(%)			
1	Resonator	Quartz Crystal	4.8	100%	SiO ₂	14808-60-7	
2	Electrodes	Cr+Au	0.2	5%	Cr	Cr: 7440-47-3	
				95%	Au	Au: 7440-57-5	
3	Housing	Ceramic	171.0	100%	Al ₂ O ₃	1344-28-1	
4	Seal	Solder Preform	6.5	80%	Au80 / Sn20	Au: 7440-57-5	
				20%		Sn: 7440-31-5	
5	Terminations	Internal and external terminals	7.1	80%	W	W: 7440-33-7	Tungsten
				15%	Ni	Ni: 7440-02-0	Nickel plating
				5%	Au 0.2 micron	Au: 7440-57-5	Gold plating
6	HCMOS IC	Silicon	4.0	69%	Si	Si: 7440-21-3	
		Die pad plating		1%	Al	Al: 7429-90-5	
		Bonding wires		30%	Au	Au: 7440-57-5	
7	Conductive adhesive	Silver filled Epoxy	1.4	70%	Ag	Ag: 7440-22-4	
				30%	EP	129915-35-1	
		Unit weight typ. ±10%	195				

5.5. RECYCLING MATERIAL INFORMATION (CERAMIC LID)

Recycling material information according to IPC-1752 standard.

Element weight is accumulated and referenced to the unit weight of 195 mg.

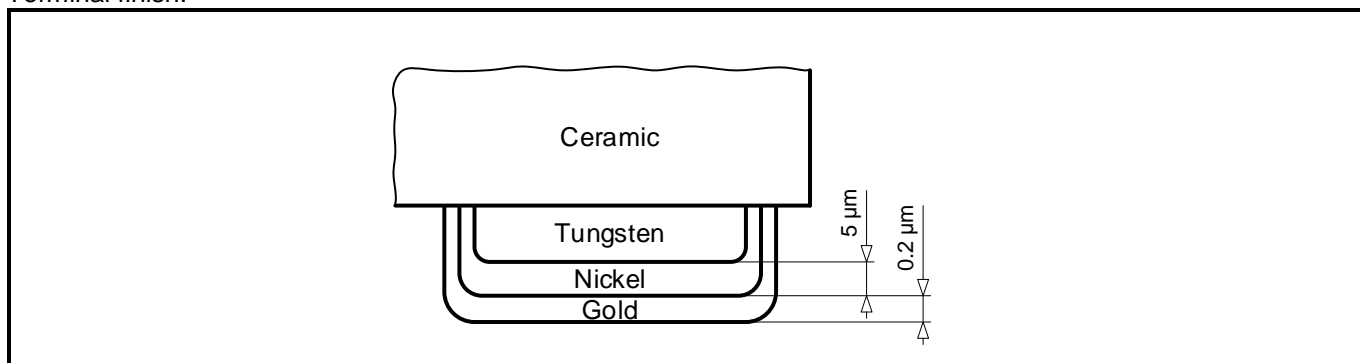
Item Material Name	No.	Item Component Name	Material Weight		Substance Element	CAS Number	Comment
			(mg)	(%)			
Quartz Crystal	1	Resonator	4.8	2.46	SiO ₂	14808-60-7	
Chromium	2	Electrodes	0.01	0.005	Cr	Cr: 7440-47-3	
Ceramic	3	Housing	171.0	87.7	Al ₂ O ₃	1344-28-1	
Gold	2 4 5 6c	Electrodes Seal Terminations HCMOS IC	6.95	3.56	Au	Au: 7440-57-5	
Tin	4	Seal	1.30	0.67	Sn	Sn: 7440-31-5	
Nickel	5	Terminations	1.07	0.55	Ni	Ni: 7440-02-0	
Tungsten	5	Terminations	5.68	2.91	W	W: 7440-33-7	
Silicon	6a	HCMOS IC	2.76	1.42	Si	Si: 7440-21-3	
Aluminum	6b	HCMOS IC	0.04	0.02	Al	Al: 7429-90-5	
Silver	7a	Conductive adhesive	0.98	0.50	Ag	Ag: 7440-22-4	
Epoxy	7b	Conductive adhesive	0.42	0.22	EP	129915-35-1	
Unit weight (total) typ. ±10%			195	100			

5.6. ENVIRONMENTAL PROPERTIES & ABSOLUTE MAXIMUM RATINGS (CERAMIC LID)

Package	Description
DFN-4 ceramic package	Dual Flat No Leads (DFN), hermetically sealed ceramic package with ceramic lid.

Parameter	Directive	Conditions	Value
Product weight (total)			195 mg
Storage temperature		Store as bare product	-65 to +125°C
Moisture sensitivity level (MSL)	IPC/JEDEC J-STD-020D		MSL1
MTTF			> 100 years

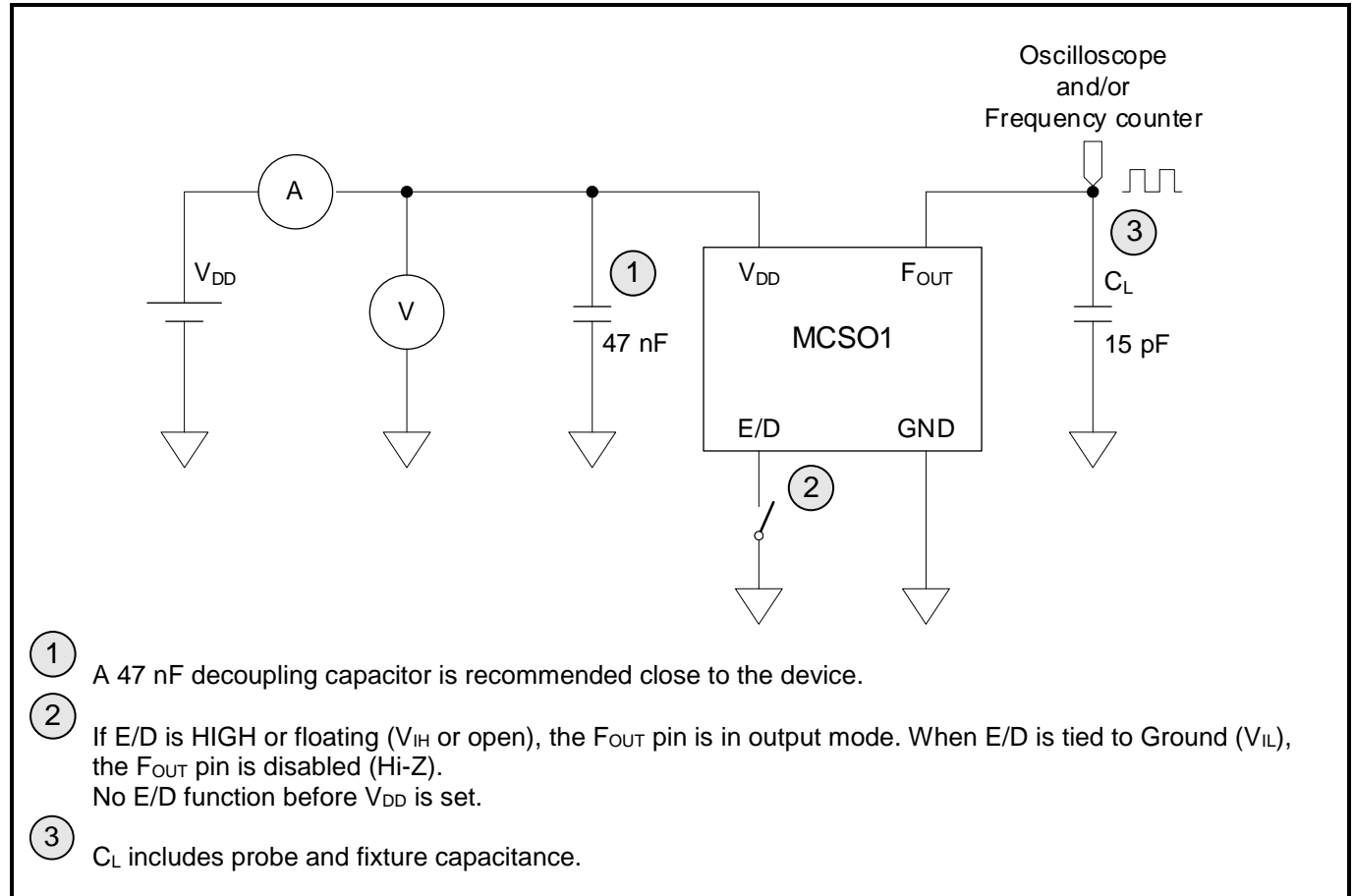
Terminal finish:



6. APPLICATION INFORMATION

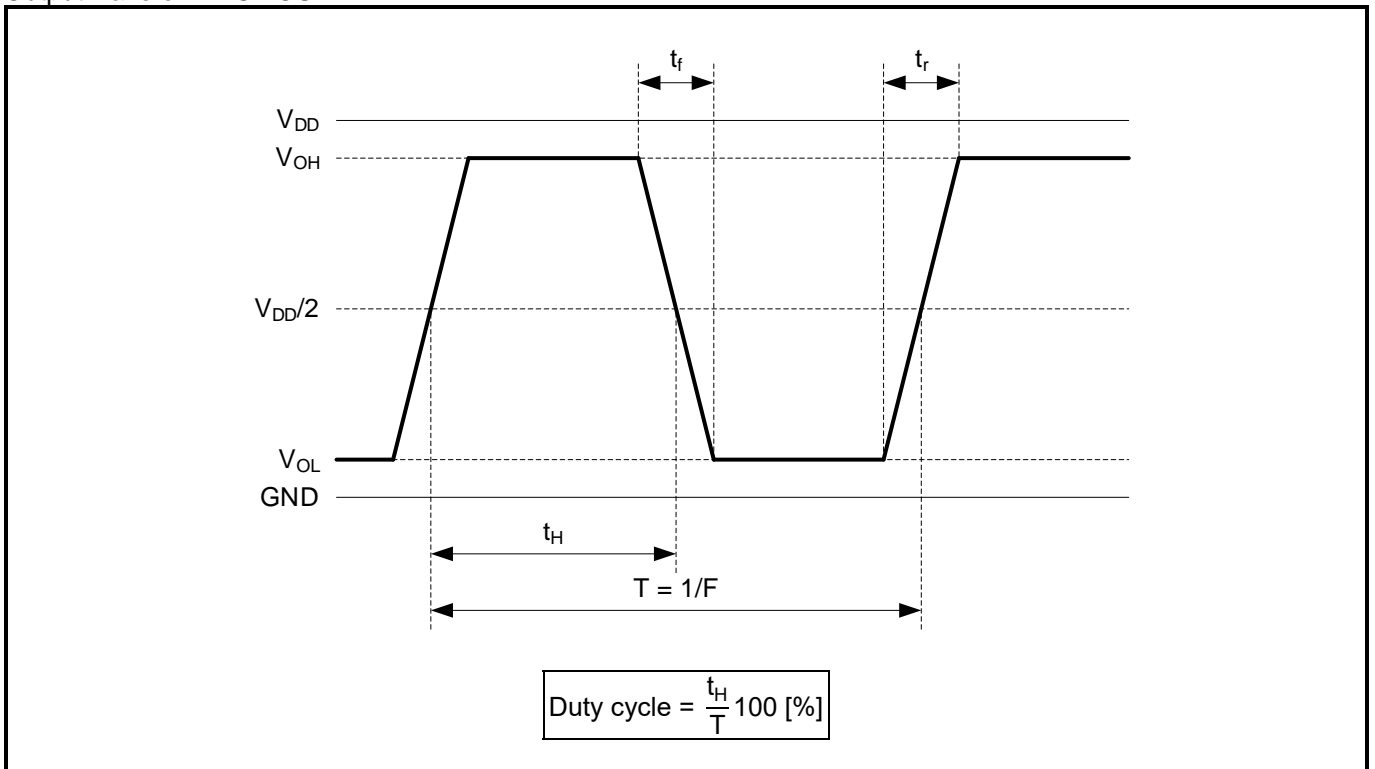
6.1. TEST CIRCUIT

Test circuit HCMOS:

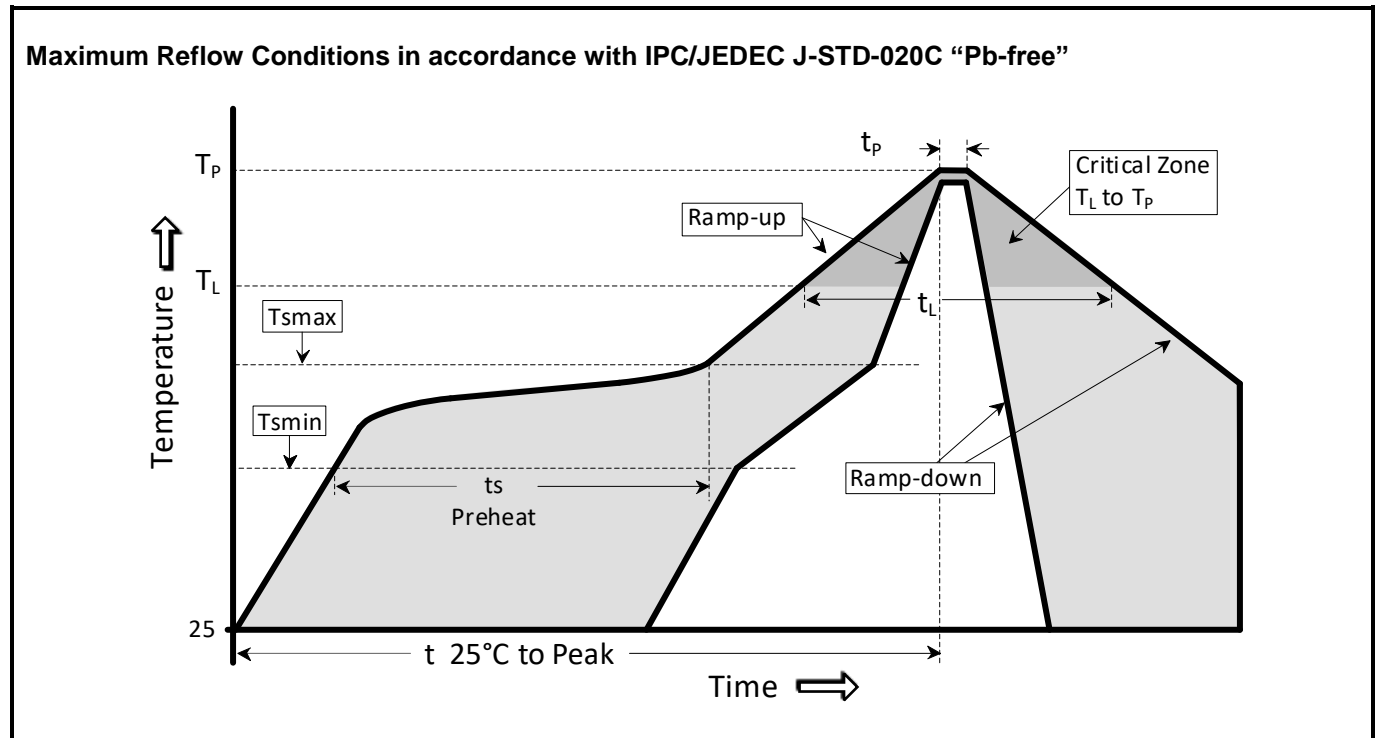


6.2. OUTPUT WAVEFORM

Output waveform HCMOS:



6.3. SOLDERING INFORMATION



Temperature Profile	Symbol	Condition	Unit
Average ramp-up rate	(T_{Smax} to T_P)	3°C / second max	°C / s
Ramp down Rate	T_{cool}	6°C / second max	°C / s
Time 25°C to Peak Temperature	$T_{to-peak}$	8 minutes max	min
Preheat			
Temperature min	T_{Smin}	150	°C
Temperature max	T_{Smax}	200	°C
Time T_{Smin} to T_{Smax}	t_s	60 – 180	sec
Soldering above liquidus			
Temperature liquidus	T_L	217	°C
Time above liquidus	t_L	60 – 150	sec
Peak temperature			
Peak Temperature	T_p	260	°C
Time within 5°C of peak temperature	t_p	20 – 40	sec

6.4. HANDLING PRECAUTIONS FOR MODULES WITH EMBEDDED CRYSTALS

The built-in AT-cut crystal consists of pure Silicon Dioxide in crystalline form. The cavity inside the package is evacuated and hermetically sealed in order for the crystal blank to function undisturbed from air molecules, humidity and other influences.

Shock and vibration:

Keep the crystal / module from being exposed to **excessive mechanical shock and vibration**. Micro Crystal guarantees that the crystal / module will bear a mechanical shock of 5000 g / 0.3 ms.

The following special situations may generate either shock or vibration:

Multiple PCB panels - Usually at the end of the pick & place process the single PCBs are cut out with a router. These machines sometimes generate vibrations on the PCB that have a fundamental or harmonic frequency close to the resonance frequency of the crystal unit. This might cause breakage of crystal blanks due to resonance. Router speed should be adjusted to avoid resonant vibration.

Ultrasonic cleaning - Avoid cleaning processes using ultrasonic energy. These processes can damage the crystals due to the mechanical resonance frequencies of the crystal blank.

Overheating, rework high temperature exposure:

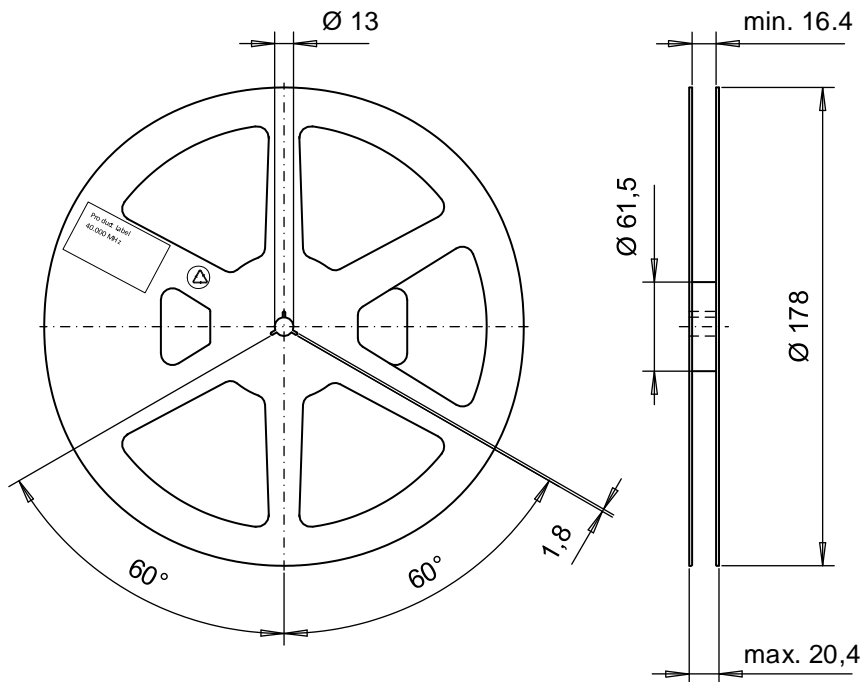
Avoid overheating the package. The package is sealed with a seal ring consisting of 80% Gold and 20% Tin. The eutectic melting temperature of this alloy is at 280°C. Heating the seal ring up to >280°C will cause melting of the metal seal which then, due to the vacuum, is sucked into the cavity forming an air duct. This happens when using hot-air-gun set at temperatures >280°C.

Use the following methods for rework:

- Use a hot-air-gun set at 270°C.
- Use 2 temperature controlled soldering irons, set at 270°C, with special-tips to contact all solder-joints from both sides of the package at the same time, remove part with tweezers when pad solder is liquid.

7. PACKING & SHIPPING INFORMATION

Reel: 7" = 178 mm

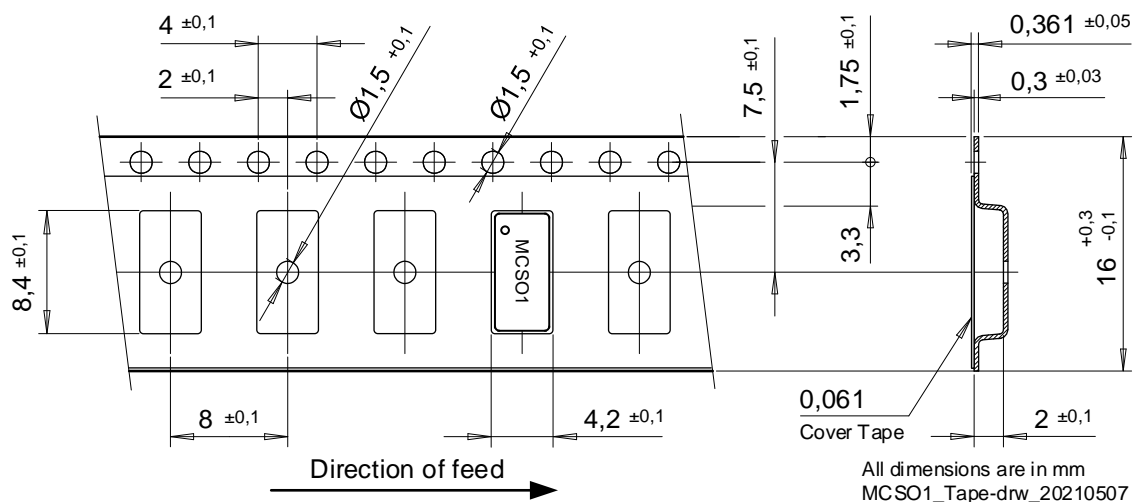


Carrier Tape:

Material: Polystyrene, conductive

Width: 16 mm

Tape Leader and Trailer: Minimum length 300 mm



All dimensions are in mm
MCSO1_Tape-drw_20210507

Cover Tape:

Tape: Polypropylene, 3M™ Universal Cover Tape (UCT)

Adhesive Type: Pressure sensitive, Synthetic Polymer

Thickness: 0.061 mm

Peel Method:

Medial section removal, both lateral stripes remain on carrier

8. COMPLIANCE INFORMATION

Micro Crystal confirms that the standard product Clock Oscillator MCSO1 is compliant with “EU RoHS Directive” and “EU REACH Directives”.

Please find the actual Certificate of Conformance for Environmental Regulations on our website:

[CoC Environment MCSO-Series.pdf](#)

9. DOCUMENT REVISION HISTORY

Date	Revision #	Revision Details
June 2017	-	Initial version
August 2021	1.0	New extended version

The information contained in this document is believed to be accurate and reliable. However, Micro Crystal assumes no responsibility for any consequences resulting from the use of such information nor for any infringement of patents or other rights of third parties, which may result from its use. In accordance with our policy of continuous development and improvement, Micro Crystal reserves the right to modify specifications mentioned in this publication without prior notice and as deemed necessary.

Any use of Products for the manufacture of arms is prohibited. Customer shall impose that same obligation upon all third-party purchasers.

Without the express written approval of Micro Crystal, Products are not authorized for use as components in safety and life supporting systems as well as in any implantable medical devices. The unauthorized use of Products in such systems / applications / equipment is solely at the risk of the customer and such customer agrees to defend and hold Micro Crystal harmless from and against any and all claims, suits, damages, cost, and expenses resulting from any unauthorized use of Products.

No licenses to patents or other intellectual property rights of Micro Crystal are granted in connection with the sale of Micro Crystal products, neither expressly nor implicitly. In respect of the intended use of Micro Crystal products by customer, customer is solely responsible for observing existing patents and other intellectual property rights of third parties and for obtaining, as the case may be, the necessary licenses.



A COMPANY OF THE  SWATCH GROUP

Micro Crystal AG
Muehlestrasse 14
CH-2540 Grenchen
Switzerland

Phone +41 32 655 82 82
sales@microcrystal.com
www.microcrystal.com